

DWG. No. : KL-DFD-078  
SHEET No. : 1 of 1

ALL DIMENSIONS ARE IN mm

F

F

E

E

D

D

C

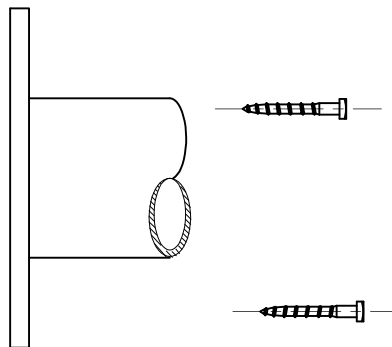
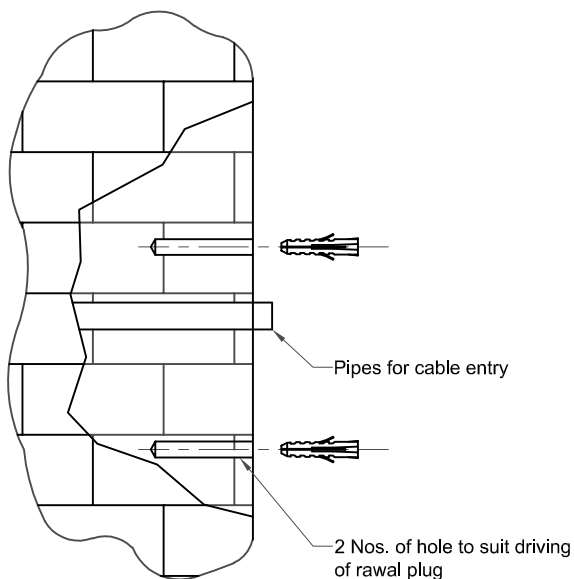
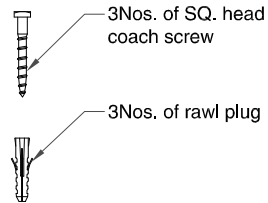
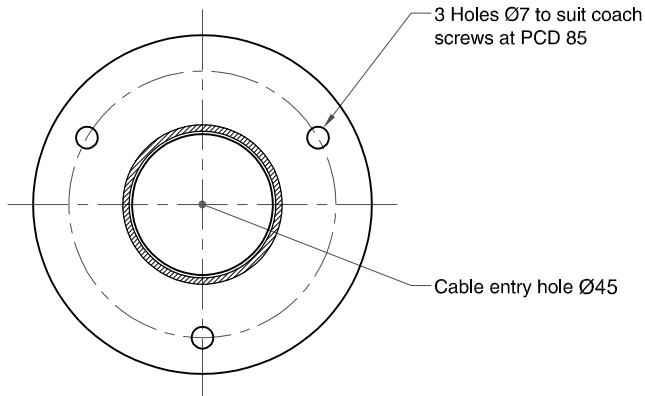
C

B

B

A

A



**NOTE:**

1. Pipe for cable entry shown is only for indicative.
2. Coach screws and rawl plugs are not included in the scope of supply.

REV. No.	REVISION DETAILS	DATE	REVISED	CHD	APPD

DRAWN BASKAR	CHECKED	APPROVED	DATE 17-05-18	SCALE 1 : 2.5	MATERIAL -
-----------------	---------	----------	------------------	------------------	---------------

Z:\K - LITE\006.FOUNDATION DETAILS\KL - DFD - 078\REV 00.dwg

**K-LITE INDUSTRIES**  
CHENNAI - 600 058

DETAILED MOUNTING DRAWING FOR W23  
KARONA FORT MINI

DRG. NO. <b>KL-DFD-078</b>	REV 00	SHEET 1 of 1
-------------------------------	-----------	-----------------