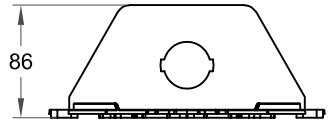
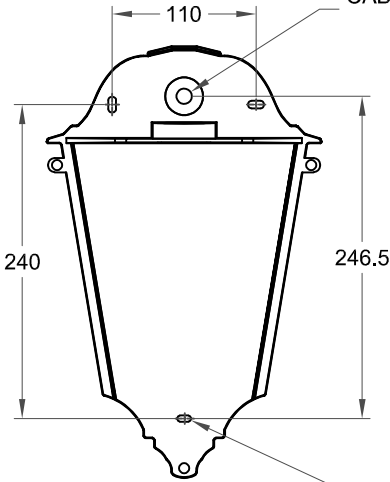


DWG. No. : KL-DFD-113
SHEET No. : 1 OF 1

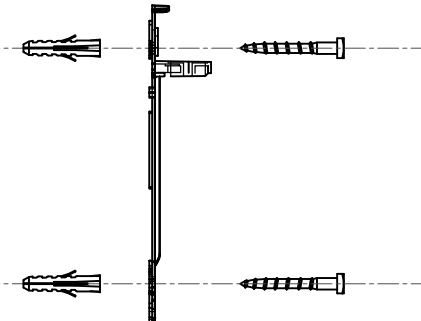
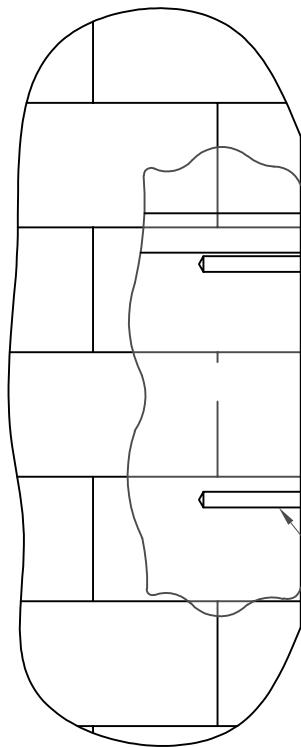
ALL DIMENSIONS ARE IN mm



3 Nos. OF SQ. HEAD COACH SCREW



3 Nos. OF RAWL PLUG



NOTE:

1. Pipe for cable entry shown is only for indicative.
2. Coach screws and rawl plugs are not included in the scope of supply.

REV. No.	REVISION DETAILS	DATE	REVISED	CHD	APPD

DRAWN KAMAL	CHECKED	APPROVED	DATE 23-09-2023	SCALE 1 : 6	MATERIAL -
----------------	---------	----------	--------------------	----------------	---------------

Z:\K - LITE\006.FOUNDATION DETAILS\KL-DFD-113 (W40)\KL-DFD-113 (W40),REV 00.dwg

DETAILED MOUNTING DRAWING FOR W40 WALL BRACKET

K-LITE

K-LITE INDUSTRIES
CHENNAI-600 058



DRG. NO.

KL-DFD-113

REV
00

SHEET
1 OF 1