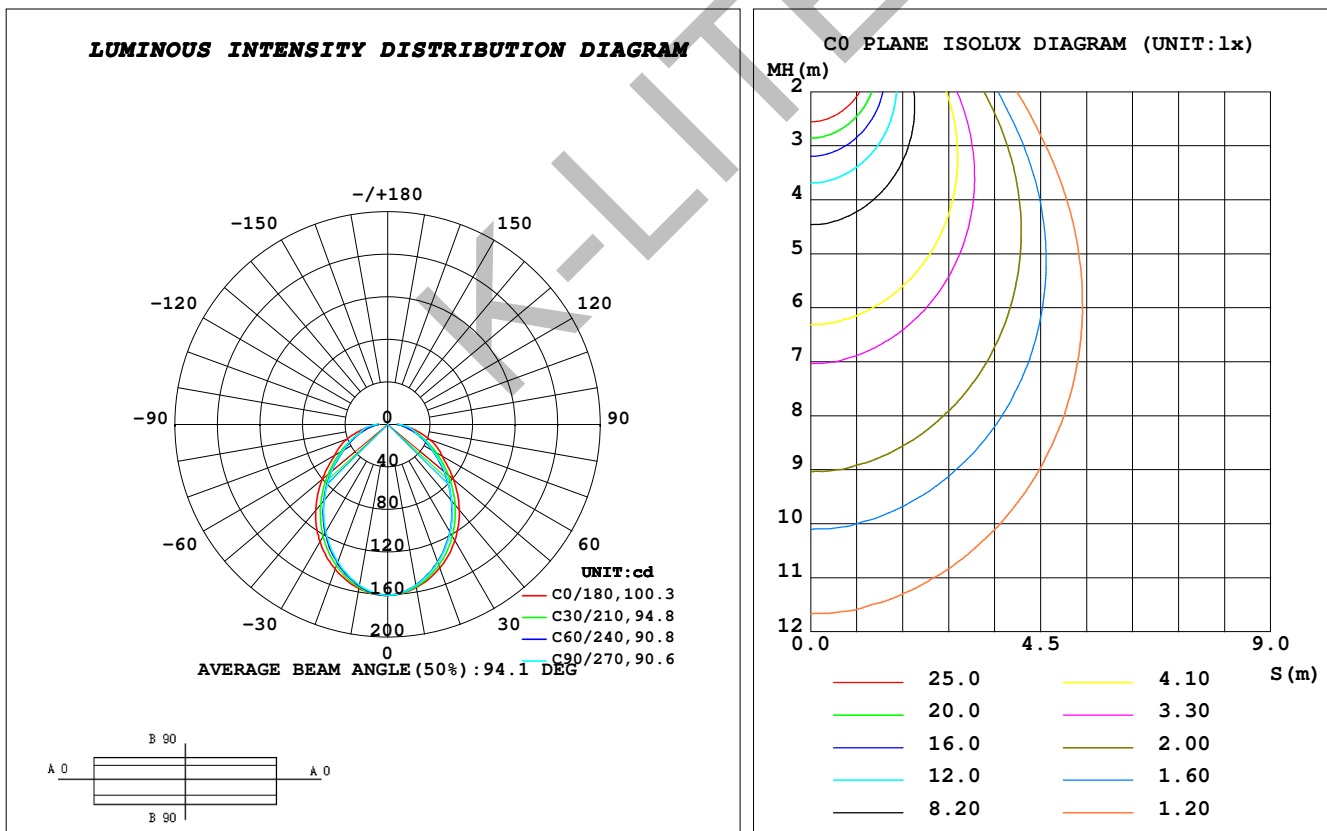


LUMINAIRE PHOTOMETRIC TEST REPORT

Test:U:230.47V I:0.1084A P:24.210W PF:0.9691 Freq:49.99Hz Lamp Flux:3196x1 lm		
NAME: FOCUS - GRID FRAME	TYPE:WALL LUMINAIRES	WEIGHT:
SPEC.:WW, NICHIA	DIM.: Ø365 x 175	SERIAL No.:1302
MFR.: K-LITE	SUR.:	Shielding Angle:

DATA OF LAMP		PHOTOMETRIC DATA			
MODEL	KL-4030	Imax (cd)	161.1	S/MH (C0/180)	1.19
NOMINAL POWER (W)	24	LOR (%)	12.2	S/MH (C90/270)	1.10
RATED VOLTAGE (V)	230	TOTAL FLUX (lm)	390.31	η UP, DN (C0-180)	0.0, 6.1
NOMINAL FLUX (lm)	3196	CIE CLASS	DIRECT	η UP, DN (C180-360)	0.0, 6.1
LAMPS INSIDE	1	η up (%)	0.0	CIBSE SHR NOM	1.25
TEST VOLTAGE (V)	230	η down (%)	12.2	CIBSE SHR MAX	1.25



C Range: 0 - 360DEG
C Interval: 10.0DEG
Test Speed: HIGH
Temperature: 25.3DEG
Operators: K-LITE
Test Date: 14 May 2020

γ Range: 0 - 90DEG
γ Interval: 1.0DEG
Test System: EVERFINE GO-R5000_V2 SYSTEM V2.00.417
Humidity: 65.0%
Test Distance: 1.825m [K=1.0000]
Remarks: