

Compact and efficient ceiling mounted down lighters. Aesthetically pleasing and precise light where it is required. Sophisticated form to suit various applications and design for low mounting height for illumination where guidance and security lighting is required.

Product Description

- Luminaire made of pressure die cast aluminium, extruded aluminium & non corrosive stainless steel fasteners.
- Clear toughened glass.
- Silicone gasket.
- Cast aluminium plate for surface mounting onto the ceiling.
- Surface mounting on ceiling using hardware after connecting to the power supply.
- Prewired with GU10 holder and suitable for operation on 240V, 50Hz single phase ac supply.



Product Benefits

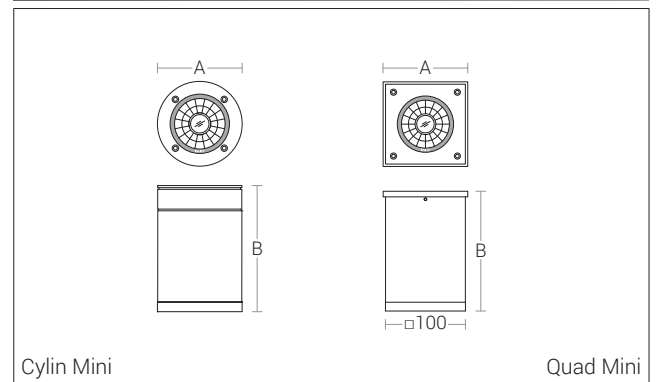
- Sturdy construction in order to maintain performance of the luminaire and to reduce maintenance costs.
- Quick & simple installation with low maintenance.
- Clear glass in the front with continuous silicone gasket to ensure adequate sealing.

Area of Application

Lobbies & Foyers, Retail outlets, Corridors, Corporate, Residential & Educational premises, Hospitality, Industry, Commercial & Business Centers.

Available Finish

- Pure polyester powder coated
- RAL 9004 Signal black
- RAL 9007 Grey aluminium
- RAL 7016 Anthracite grey
- Graphite grey



ID	Holder	A	B
4084	GU10	Ø100	150
3632	GU10	□106	150