

This elegant and efficient lantern, featuring a clear diffuser, offers a unique and comfortable lighting experience with symmetrical light distribution. Its aesthetically designed, sturdy construction guarantees long-lasting performance, even in the harshest weather conditions.

Product Description

- The luminaire made of spun aluminium top cover and extruded aluminium pipe along with pressure die cast aluminium base.
- Non yellowing UV stabilised clear acrylic diffuser.
- Brite aluminium reflector is profiled for improved illumination efficiency.
- Luminaire integrated with 30W LED.
- Die cast aluminium base for effective corrosion resistance.
- Suitable for mounting on 60mm OD pipe.
- Cable entries for through-wiring of mains supply cable.
- Integral constant current power supply
- CRI (Ra) : ≥ 80
- Prewired with LED driver and suitable for operating on 240V, 50Hz single phase ac supply.
- Ordering guide : KL-4520-CCT (Colour Temperature)
- Available CCT : 2700K, 3000K, 4000K, 5700K



Product Benefits

- Elegant, Robust design
- Environmental friendly, moisture proof, insect free.
- The diffuser contributes to the creation of ambiance and to visual comfort by reducing glare.
- Low maintenance cost.

Area of Application

Illuminating parks, Gardens, commercial complex, Residential roadways, Walkways, Streetscapes & office complex.

Available Finish

Pure polyester powder coated

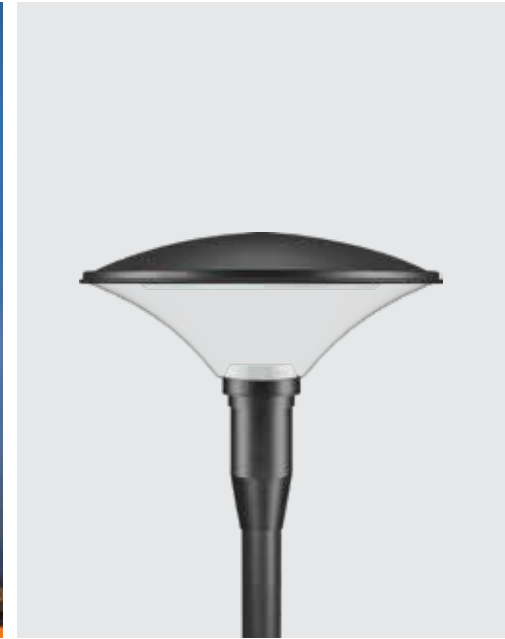
RAL 9004 Signal black

RAL 9007 Grey aluminium

RAL 7016 Anthracite grey

Graphite grey





OPEN SOURCE

Technical Specifications

General

ID	: 4520
System Wattage	: 30W LED
Driver Integral	: Constant Current
Operating Voltage	: 100-277Vac
Operating Temperature	: -15°C~+50°C

Physical

Body	: Spun aluminium top cover & Extruded aluminium
Diffuser	: Clear acrylic
Mounting	: Suitable for Mounting on Ø60mm OD Pipe
Finish	: Powder coated RAL 9004 Signal black RAL 9007 Grey aluminium RAL 7016 Anthracite grey Graphite grey

Light Source

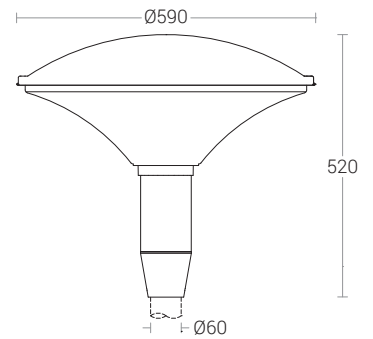
Light Source	: NICHIA
CRI (Ra)	: ≥80
LED Colour Temperature	: 2700K / 3000K / 4000K / 5700K

Driver

Power Supply	: Integral
Input Voltage	: 230-240Vac
Frequency	: 50-60Hz
Power Factor	: >0.95
THD	: <10%
Surge Protection	: 4KV
Efficiency	: >88%

Optical Performance

Light Distribution	: Symmetrical
--------------------	---------------



Note : It is our constant endeavor to upgrade the performance of our products. For the latest technical information, IES files and product updates please refer to the website at www.klite.in