

An elegant and efficient lantern featuring a translucent diffuser provides a unique, comfortable lighting solution with symmetrical light distribution. Its aesthetically designed, robust construction ensures long-lasting performance under all weather conditions, maintaining its initial lighting quality throughout the lifetime of the installation.

Product Description

- The luminaire consists of a specially contoured spun aluminium top cover, complemented by a circular capping spacer and a ventilating knob.
- Lamp compartment encased in non-yellowing translucent UV stabilised perpeX prism acrylic diffuser.
- Luminaire integrated with 27W LED.
- Rubber gasket.
- Turn type polycarbonate locking system for easy maintenance.
- Pressure die cast aluminium spigot base with aluminium alloy of low copper content for effective corrosion resistance.
- Suitable for mounting on 50mm OD pipe.
- Cable entries for through-wiring of mains supply cable
- Integral constant current power supply
- CRI (Ra) : ≥ 80
- Prewired with LED driver and suitable for operating on 240V, 50Hz single phase ac supply.
- Ordering guide : KL-24985-CCT (Colour Temperature)
- Available CCT : 2700K, 3000K, 4000K, 5700K



Product Benefits

- Elegant, Functionality
- Environmental Friendly
- Dark sky compliant protects pedestrians from glare, in addition to preventing spill light above the horizontal plane.
- The diffuser contributes to the creation of ambiance and to visual comfort by reducing glare.
- Low maintenance cost.
- Sustainable LED technology offers durability and optimal light output with low power consumption.

Area of Application

Illuminating parks, Gardens, Commercial complex, Residential roadways, Walkways, Streetscapes & office complex.

Available Finish

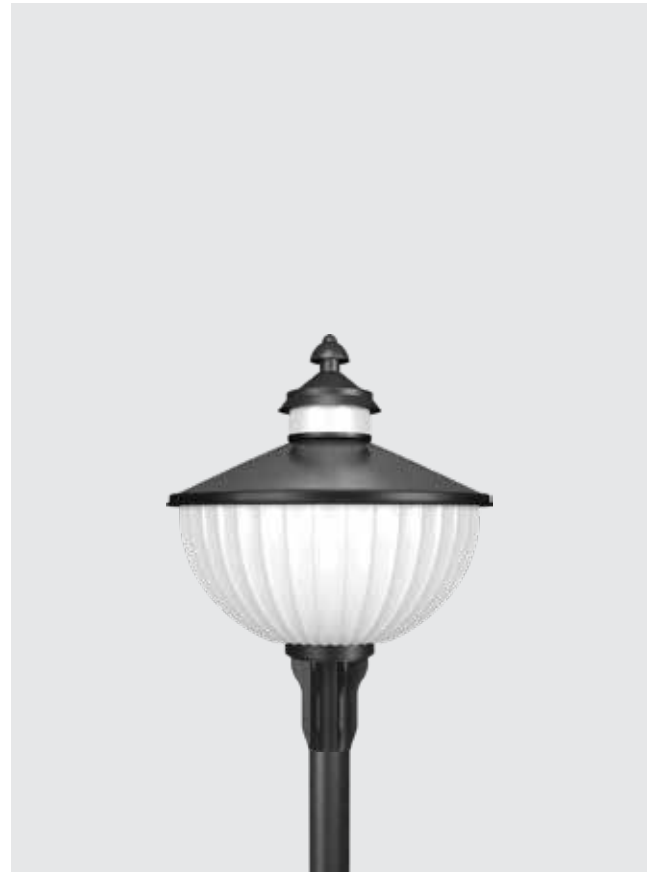
Pure polyester powder coated

RAL 9004 Black

RAL 9007 Grey aluminium

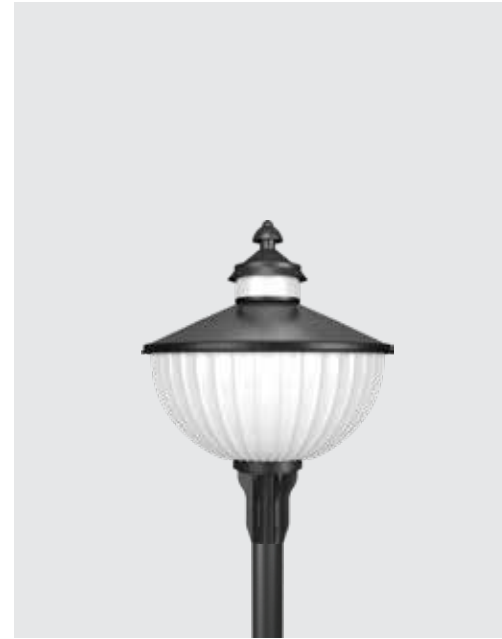
RAL 7016 Anthracite grey

Graphite grey





HOTEL SKYLINE, CHENNAI



Technical Specifications

General

ID	: 24985
System Wattage	: 27W LED
Driver Integral	: Constant Current
Operating Voltage	: 100-277Vac
Operating Temperature	: -15°C~+50°C

Physical

Body	: Die cast aluminium base, spun aluminium top cover
------	---

Diffuser	: Translucent Acrylic
Mounting	: Suitable for Mounting on Ø50mm OD Pipe

Finish	: Powder coated RAL 9004 Black RAL 9007 Grey aluminium RAL 7016 Anthracite grey Graphite grey
--------	---

Light Source

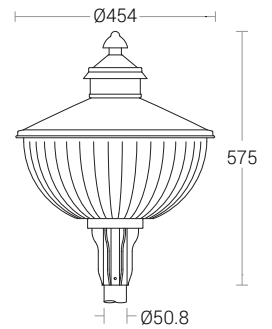
Light Source	: NICHIA
CRI (Ra)	: ≥80
LED Colour Temperature	: 2700K / 3000K / 4000K / 5700K

Driver

Power Supply	: Integral
Input Voltage	: 230-240Vac
Frequency	: 50-60Hz
Power Factor	: >0.9
THD	: <10%
Surge Protection	: 4KV
Efficiency	: >85%

Optical Performance

Light Distribution	: Symmetrical
--------------------	---------------



An elegant and efficient lantern featuring a translucent diffuser provides a unique, comfortable lighting solution with symmetrical light distribution. Its aesthetically designed, robust construction ensures long-lasting performance under all weather conditions, maintaining its initial lighting quality throughout the lifetime of the installation.

Product Description

- The luminaire comprises of specially contoured spun aluminium top cover, complemented by a circular capping spacer and a ventilating knob.
- Lamp compartment encased in non-yellowing translucent UV stabilised perpeX prism acrylic diffuser.
- Rubber gasket.
- Turn type polycarbonate locking system for easy maintenance.
- Pressure die cast aluminium spigot base with aluminium alloy of low copper content for effective corrosion resistance.
- Suitable for mounting on 50mm OD pipe.
- Cable entries for through-wiring of mains supply cable
- Prewired with E27 holder and suitable for operation on 240V, 50Hz single phase ac supply.



Product Benefits

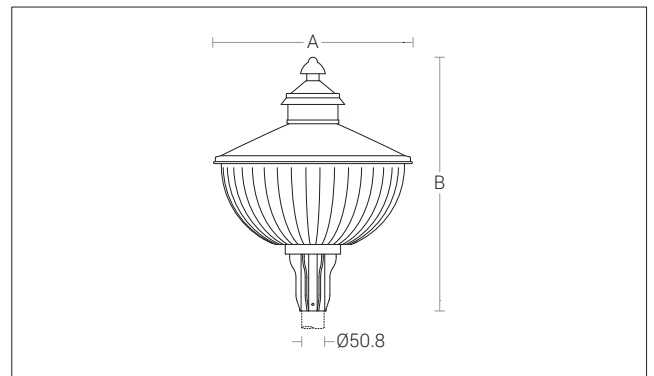
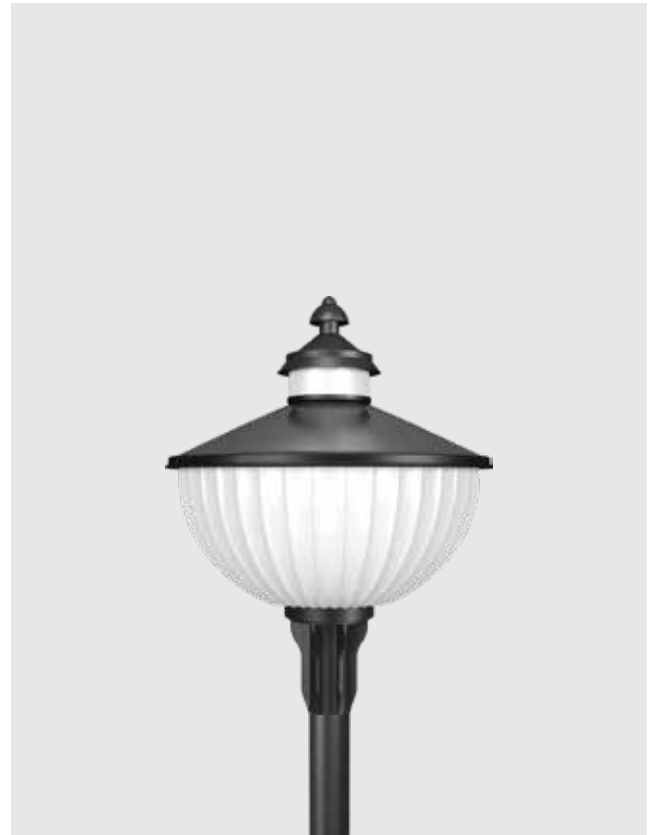
- Elegance, Functionality.
- Environmental friendly.
- Dark sky compliant protects pedestrians from glare, in addition to preventing spill light above the horizontal plane.
- The diffuser contributes to the creation of ambiance and to visual comfort by reducing glare.
- Low maintenance cost.

Area of Application

Illuminating parks, Gardens, commercial complex, Pathways in residential buildings & office complex.

Available Finish

- Pure polyester powder coated
- RAL 9004 Black
- RAL 9007 Grey aluminium
- RAL 7016 Anthracite grey
- Graphite grey



ID	Wattage	A	B
25088	E27-C	Ø454	575

Note : Max. Wattage : 17W LED / 23W CFLE