

An elegant and efficient lantern with translucent diffuser provide a unique, comfortable light choice with glare free light distribution. Aesthetically designed sturdy construction ensures a long life against all weather condition, maintaining initial performances through the lifetime of the installation.

Product Description

- The luminaire totally weather proof with housing made of die cast aluminium.
- Diffuser placed into the provision formed on the periphery of the bottom cover.
- Non yellowing UV stabilized translucent polycarbonate diffuser.
- Luminaire integrated with 50W LED.
- Suitable for mounting on 76mm OD pipe.
- Cable entries for through-wiring of mains supply cable.
- Integral constant current power supply
- CRI (Ra) : ≥ 80
- Prewired with LED driver and suitable for operating on 240V, 50Hz single phase ac supply.
- Ordering guide : KL-5368-CCT (Colour Temperature)
- Available CCT : 3000K, 4000K, 5700K



Product Benefits

- High luminous efficiency at reduced wattage.
- Elegance, Functionality.
- Environmental friendly, moisture proof, insect free.
- The diffuser contributes to the creation of ambiance and to visual comfort by reducing glare.
- Low maintenance cost.
- Sustainable LED technology offers durability and optimal light output with low power consumption.

Area of Application

Illuminating parks, Gardens, commercial complex, Pathways in residential buildings & office complex.

Available Finish

Pure polyester powder coated grey





Technical Specifications

General

ID	: 5368
System Wattage	: 50W LED
Driver Integral	: Constant Current
Input Voltage	: 230-240Vac
Frequency	: 50-60 Hz
Operating Voltage	: 100-277Vac
Operating Temperature	: -15°C~+50°C

Physical

Body	: Die-Cast Aluminium
Diffuser	: Translucent Polycarbonate
Mounting	: Suitable for Mounting on Ø76mm OD Pipe
Finish	: Powder Coated Grey

Light Source

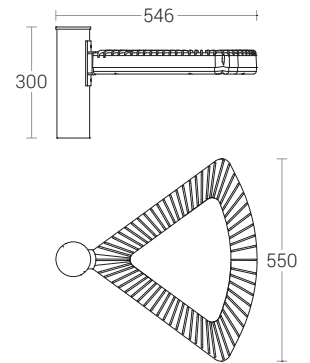
Light Source	: NICHIA
LED Lumens	: 5800 lm
CRI (Ra)	: >80
LED Colour Temperature	: 3000K / 4000K / 5700K

Driver

Power Supply	: Integral
Power Factor	: >0.95
THD	: <10%
Surge Protection	: 6KV
Efficiency	: >87%

Optical Performance

Colour Temperature	: 3000K
Luminous flux	: 2686 lm
Light Distribution	: 120°



Photometric Data

